

DESCRIPTION

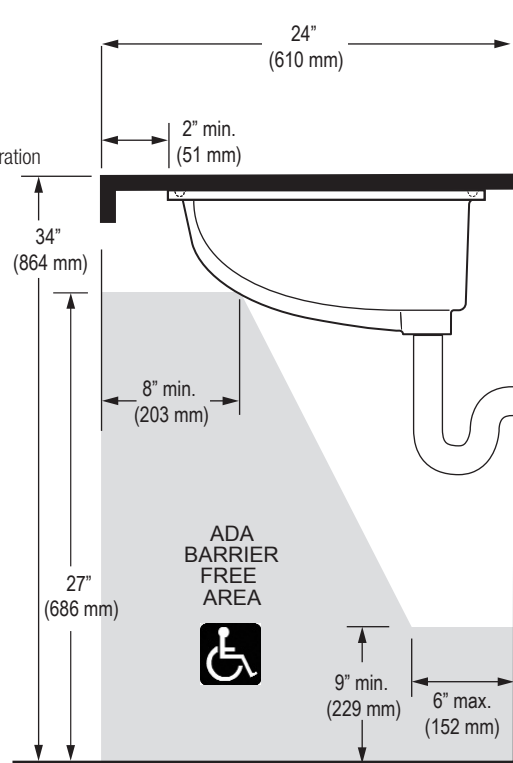
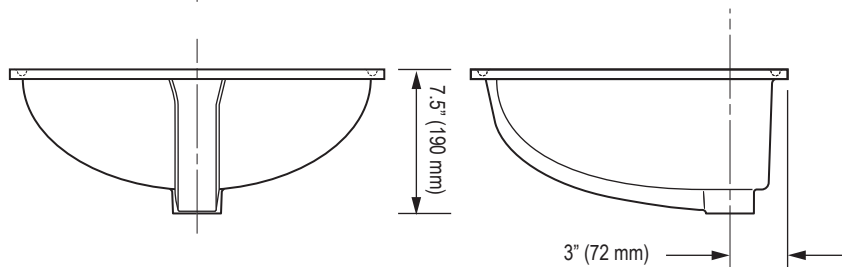
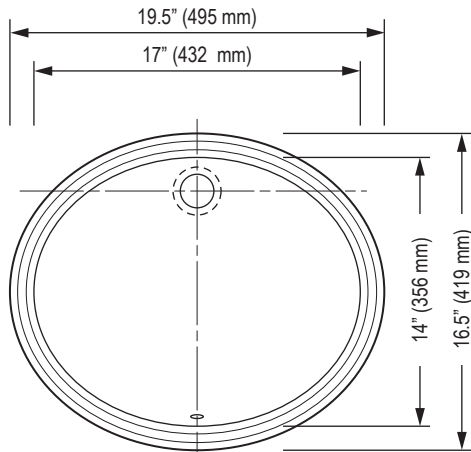
Complete vitreous china lavatory
Model SS-3001
Code: 3873001



SPECIFICATIONS

Lavatory

- White vitreous china
- Front Overflow
- ADA compliant when mounted with lavatory mounted at 34" from finished floor. See illustration for recommended ADA installation
- 19.5" (495 mm) x 16.5" (419 mm)



Product Specification
Sink shall be made of vitreous china with an overflow. Sink shall be under mounted. Sink shall have an overflow. Sink shall be Sloan Model SS-3001.

NOTE: All vitreous china dimensions shown in these drawings are nominal. Dimensions can vary within the tolerances established in the governing ASME A112.19.2/CSA B45.1 standard. Please take this into consideration when planning rough-in and plumbing layouts.



This space for Architect/Engineer approval	
Job Name _____	Date _____
Model Specified _____	Quantity _____
Variations Specified _____	
Customer/Wholesaler _____	
Contractor _____	
Architect _____	

SLOAN

Sloan Valve Company
10500 Seymour Avenue, Franklin Park, IL 60131
Phone: 1-800-9-VALVE-9 (982-5839)
or 1-847-671-4300
Fax: 1-800-447-8329 or 1-847-671-4380
www.sloanvalve.com

Copyright © 2013 Sloan Valve Company
SS-3001 09-13